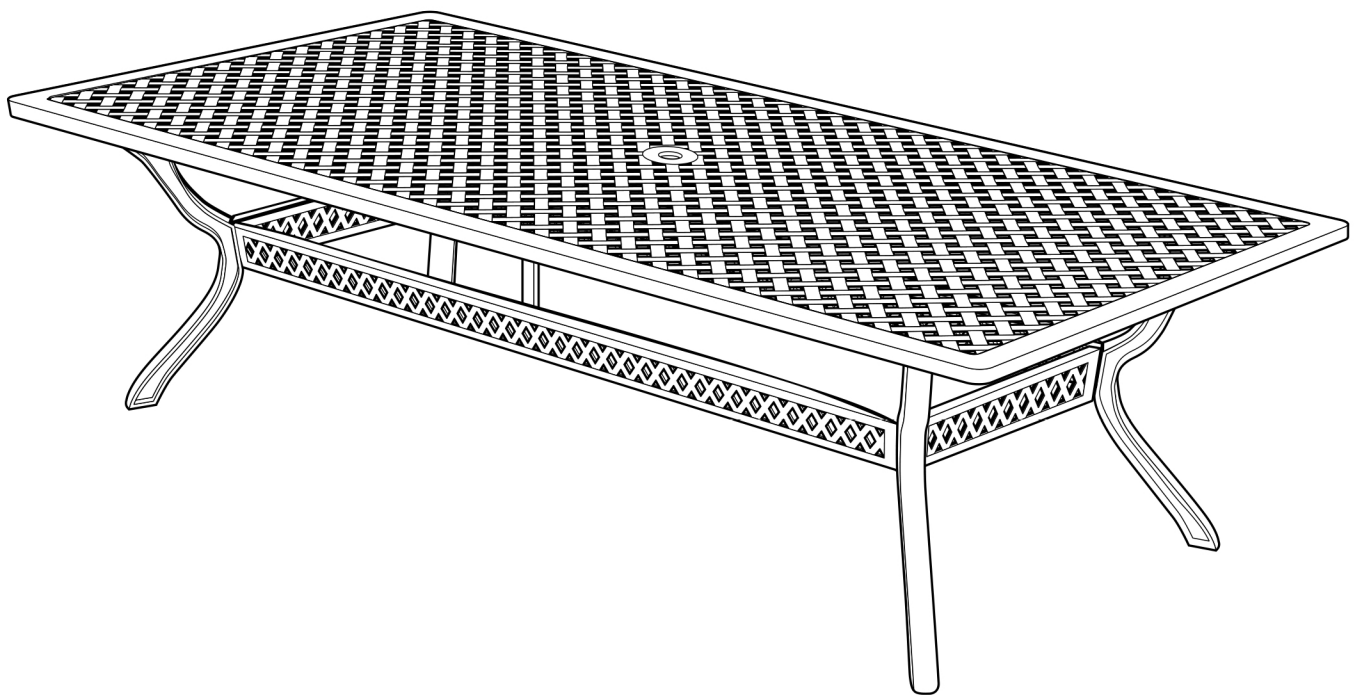
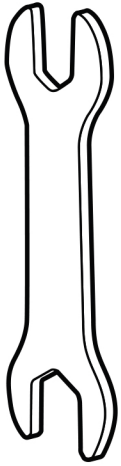


MADISON

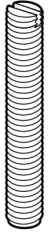


WK-1-MAD-TBL

Lazy Susan

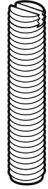


M8-40MM-BOLT



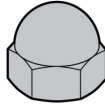
10x

M8-35MM-BOLT



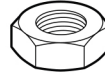
10x

M8-NUT-CAP



20x

M8-NUT



20x

M8-WASHER

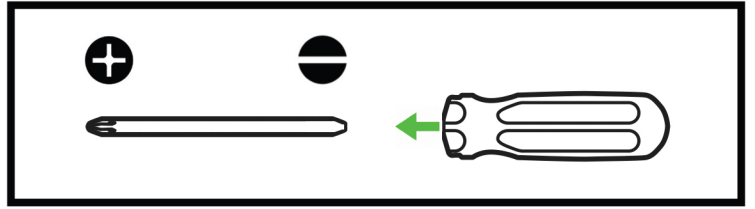


20x

M8-SPRING-WASH

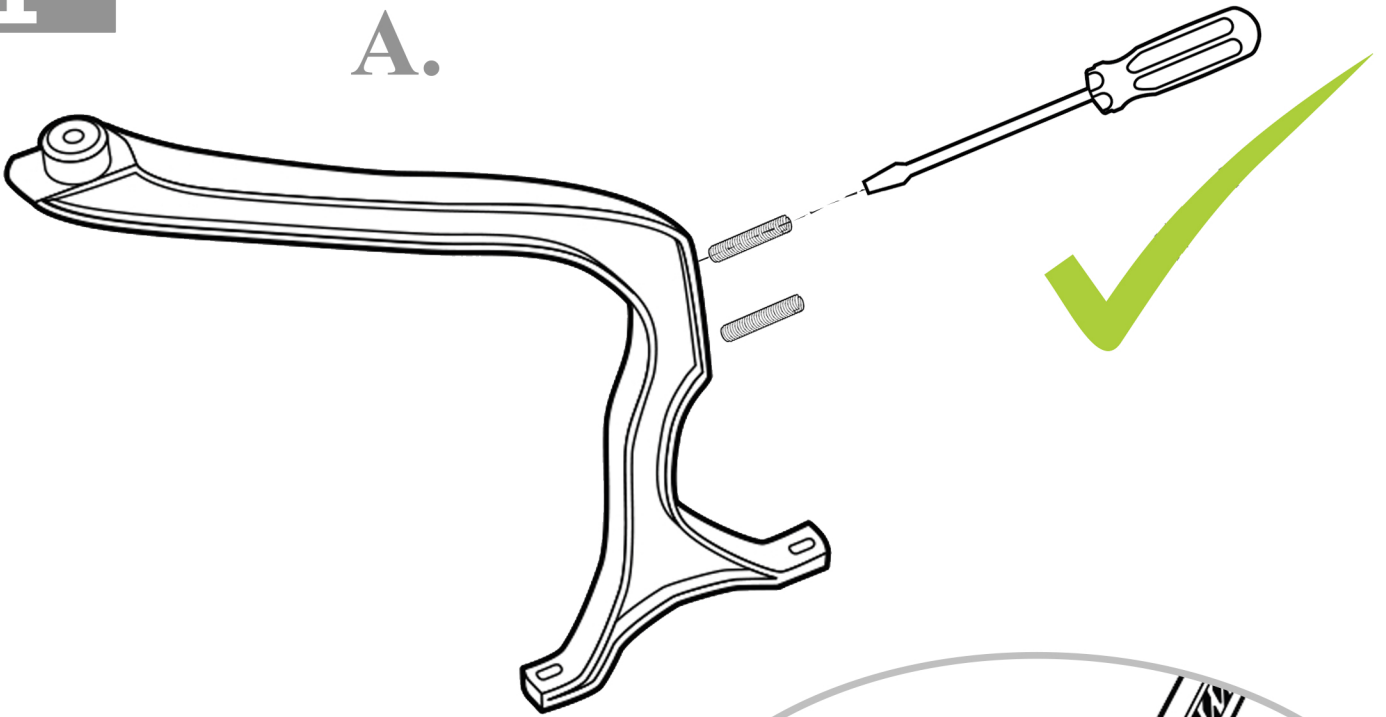


20x

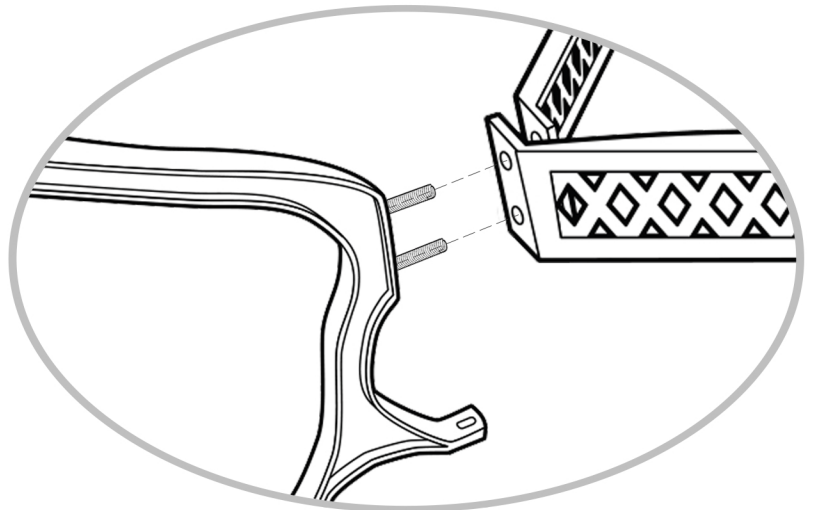


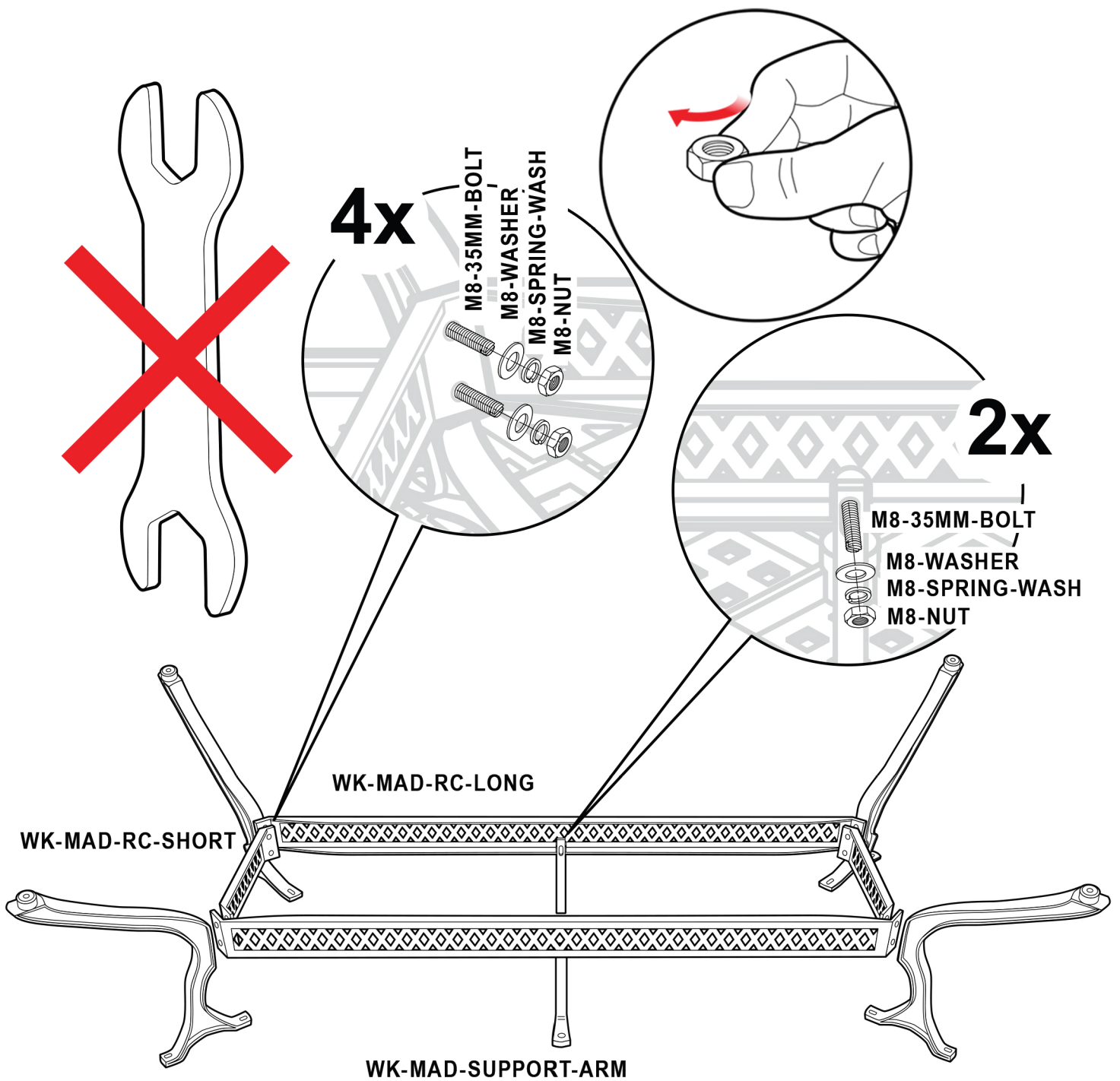
1

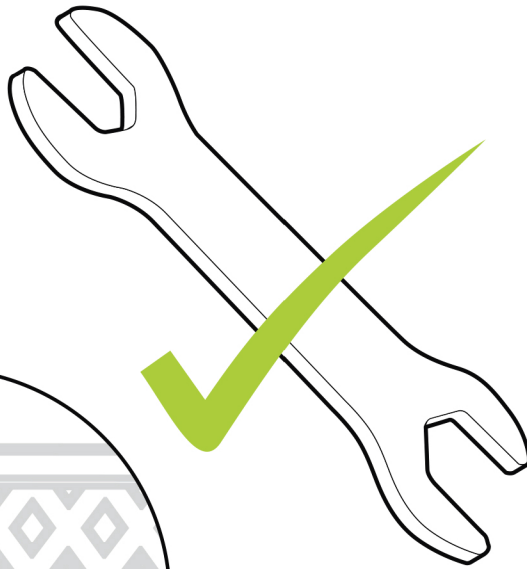
A.



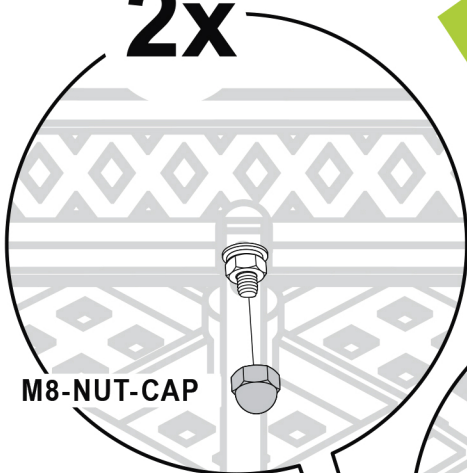
B.





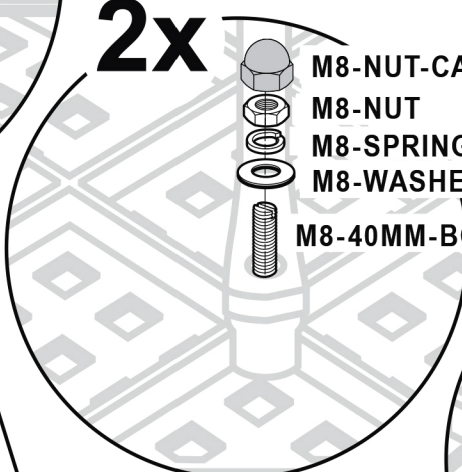


2x



M8-NUT-CAP

2x



M8-NUT-CAP

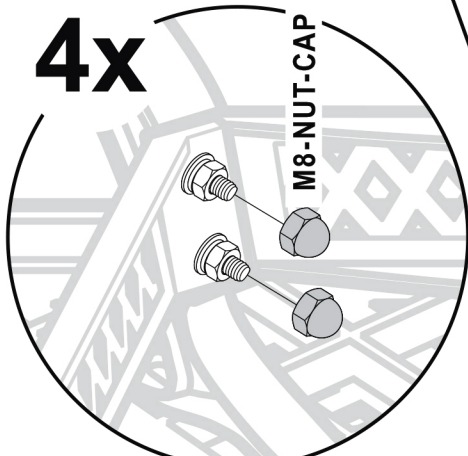
M8-NUT

M8-SPRING-WASH

M8-WASHER

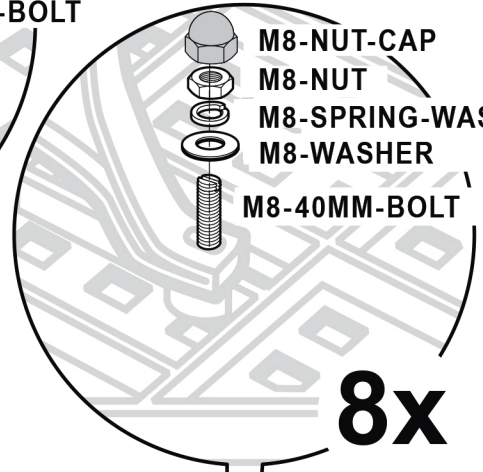
M8-40MM-BOLT

4x



M8-NUT-CAP

8x



M8-NUT-CAP

M8-NUT

M8-SPRING-WASH

M8-WASHER

M8-40MM-BOLT

M8-TABLE-FEET

WK-RC-LEG-LRG

WK-MAD-TOP